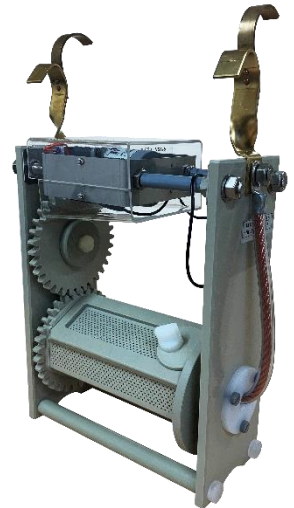
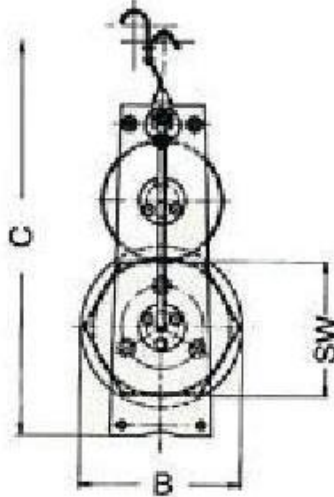
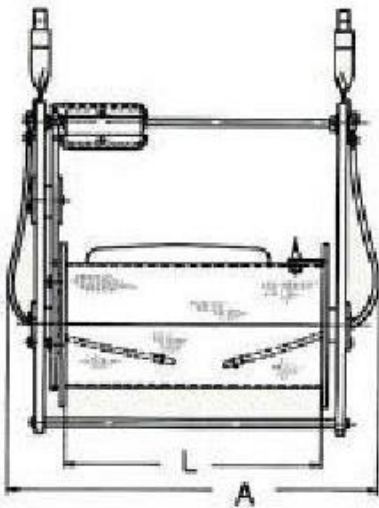


EAGLE

EAGLE ENGINEERING LTD



Portable Hanging Mini Plating Barrels, Spares & Accessories



Barrel Material	Polypropylene
Perforation	0.50mm /6.00mm
Motor Drive	6/12/24 Volt DC-Motor 7.2Nm/15Nm
Barrel Rotation	10 RPM
DC Contact	Flexible Dangler Contact with changeable Brass Contact Tip
Special designs are available and are subject to a surcharge. Partition wall with two-part cover and sieve plugs/ filter inserts systems also available upon request. Switchable 6V/12V Motor available at additional cost	

Part Number	L x SW mm	Barrel Load (kg)	A	B	C	Motor Spec	Net Weight (kg)
EE.100.150	150 x 100	1.5	270	140	440	6/12/24 V 7.2Nm 10rpm	5.0
EE.100.200	200 x 100	2.0	320				5.5
EE.180.250	250 x 180	6.0	400	225	540	6/12/24 V 7.2Nm 10rpm	7.5
EE.180.300	300 x 180	7.0	450				8.0
EE.180.350	350 x 180	9.0	500				8.5
EE.180.450	450 x 180	12.0	600				8.8
EE.180.250	250 x 180	7.0	400	225	575	6/12/24 V 15Nm 10rpm	8.8
EE.180.300	300 x 180	8.0	450				9.0
EE.180.350	350 x 180	10.0	500				9.2
EE.180.450	450 x 180	13.0	600				9.7

Spares & Accessories

Part Number	Description
EE-11-100-7.2 Nm	Barrel Motor – 7.2 Nm
EE-11-100-15 Nm	Barrel Motor – 15 Nm
EE-180-9001-7.2	Drive Gear 7.2Nm 10 Tooth – Tapered Lock
EE-180-9001-15	Drive Gear 15Nm 10 Tooth – Keyway Brass Centre
EE-6-559-SK	559Nm 25mm ² Detachable Brass Tipped Dangler

Please enquire with quantity, part numbers, perforation size & supply voltage